

# State of Wyoming Corner Record



(In compliance with the CORNER PERPETUATION AND FILING ACT, Wyoming Statutes, 2013 Section 33-29-901 through 33-29-910, and the Rules and Regulations of the Board of Professional Engineers and Professional Land Surveyors)

Reverse side of this form may be used if more space is needed.

Record of original survey and citation of source of historical information (if corner is lost or obliterated). Description of corner monumentation evidence found and/or monument and accessories established to perpetuate the location of this corner. Sketch of relative location of monument, accessories, and reference points with course and distance to adjacent corner(s) (if determined in this survey). Method and rationale for reestablishment of lost or obliterated corner.

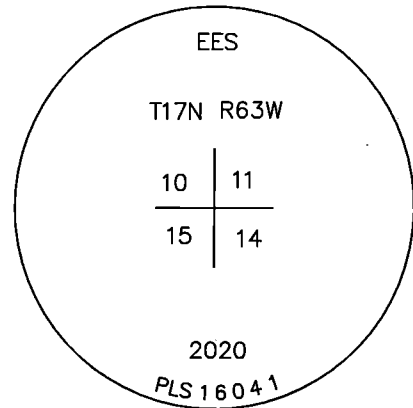
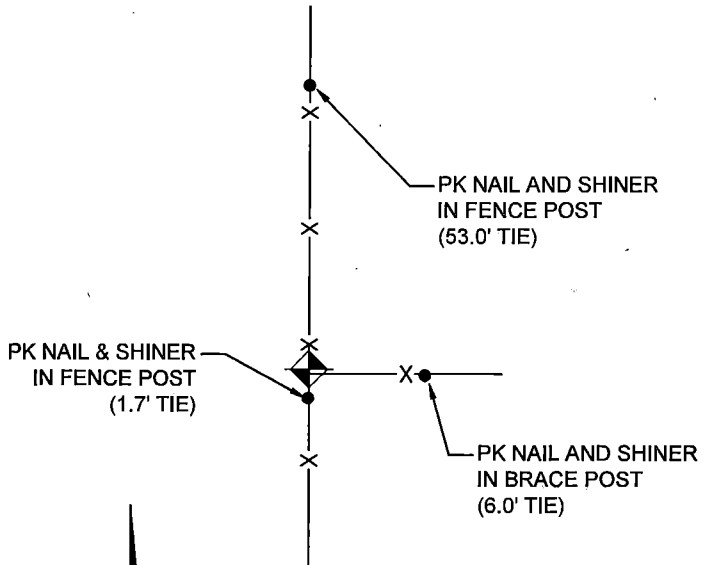
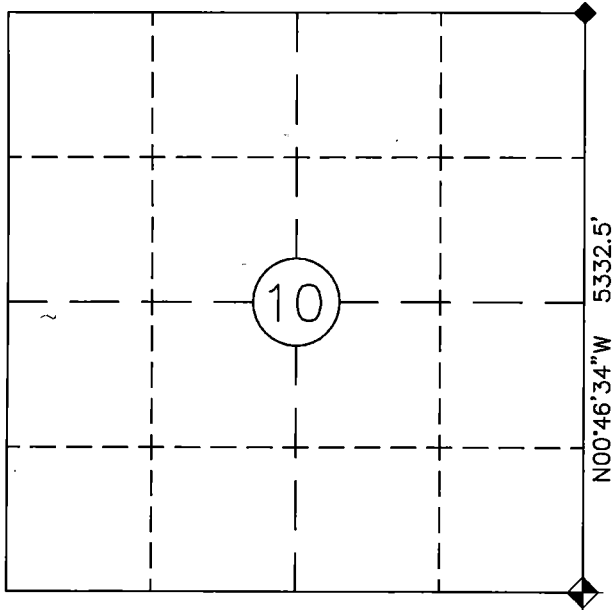
NOTHING FOUND. SET A #6 REBAR WITH 2 1/2" ALUMINUM CAP "PLS 16041", 8" NORTH OF FENCE CORNER.  
STAMPED AS SHOWN HEREON.

## Legend

-  MONUMENT FOR THIS CORNER RECORD
-  SET ALUMINUM CAP PER CORNER RECORD

BEARINGS FROM GPS GRID NAD83 WY EAST  
DISTANCES ARE GPS GRID

## Monument location



Date of Field Work: MARCH, 2020

Office Reference: JOB NO. 61927

## Monument Inscription

## Cross Index Plat

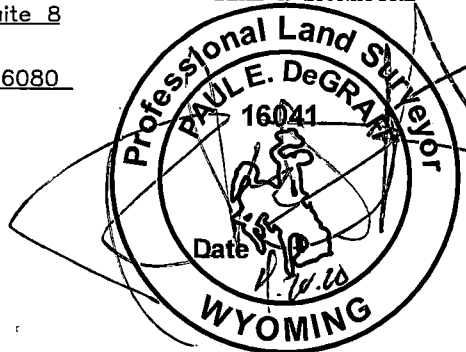
1	2	3	4	5	6	7	8	9	10	11	12	13	14	15	16	17	18	19	20	21	22	23	24	25	
A	+	+	+	+	+	+	+	+	+	+	+	+	+	+	+	+	+	+	+	+	+	+	+	+	A
B	+	6	+	+	5	+	+	4	+	+	3	+	+	2	+	+	1	+	+	+	+	+	+	+	B
C	+	+	+	+	+	+	+	+	+	+	+	+	+	+	+	+	+	+	+	+	+	+	+	+	C
D	+	+	+	+	+	+	+	+	+	+	+	+	+	+	+	+	+	+	+	+	+	+	+	+	D
E	+	+	+	+	+	+	+	+	+	+	+	+	+	+	+	+	+	+	+	+	+	+	+	+	E
F	+	+	+	+	+	+	+	+	+	+	+	+	+	+	+	+	+	+	+	+	+	+	+	+	F
G	+	7	+	+	8	+	+	9	+	+	10	+	+	11	+	+	12	+	+	+	+	+	+	+	G
H	+	+	+	+	+	+	+	+	+	+	+	+	+	+	+	+	+	+	+	+	+	+	+	+	H
J	+	+	+	+	+	+	+	+	+	+	+	+	+	+	+	+	+	+	+	+	+	+	+	+	J
K	+	+	+	+	+	+	+	+	+	+	+	+	+	+	+	+	+	+	+	+	+	+	+	+	K
L	+	18	+	+	17	+	+	16	+	+	15	+	+	14	+	+	13	+	+	+	+	+	+	+	L
M	+	+	+	+	+	+	+	+	+	+	+	+	+	+	+	+	+	+	+	+	+	+	+	+	M
N	+	+	+	+	+	+	+	+	+	+	+	+	+	+	+	+	+	+	+	+	+	+	+	+	N
O	+	+	+	+	+	+	+	+	+	+	+	+	+	+	+	+	+	+	+	+	+	+	+	+	O
P	+	19	+	+	20	+	+	21	+	+	22	+	+	23	+	+	24	+	+	+	+	+	+	+	P
Q	+	+	+	+	+	+	+	+	+	+	+	+	+	+	+	+	+	+	+	+	+	+	+	+	Q
R	+	+	+	+	+	+	+	+	+	+	+	+	+	+	+	+	+	+	+	+	+	+	+	+	R
S	+	+	+	+	+	+	+	+	+	+	+	+	+	+	+	+	+	+	+	+	+	+	+	+	S
T	+	30	+	+	29	+	+	28	+	+	27	+	+	26	+	+	25	+	+	+	+	+	+	+	T
U	+	+	+	+	+	+	+	+	+	+	+	+	+	+	+	+	+	+	+	+	+	+	+	+	U
V	+	+	+	+	+	+	+	+	+	+	+	+	+	+	+	+	+	+	+	+	+	+	+	+	V
W	+	+	+	+	+	+	+	+	+	+	+	+	+	+	+	+	+	+	+	+	+	+	+	+	W
X	+	31	+	+	32	+	+	33	+	+	34	+	+	35	+	+	36	+	+	+	+	+	+	+	X
Y	+	+	+	+	+	+	+	+	+	+	+	+	+	+	+	+	+	+	+	+	+	+	+	+	Y
Z	+	+	+	+	+	+	+	+	+	+	+	+	+	+	+	+	+	+	+	+	+	+	+	+	Z
1	2	3	4	5	6	7	8	9	10	11	12	13	14	15	16	17	18	19	20	21	22	23	24	25	

Firm/Agency, Address

Paul E. DeGraff  
Encompass Energy Services  
1954 E. Richards St. Suite 8  
Douglas, WY 82633  
Telephone: (303) 995-6080

This corner record was prepared by me or under my direction and supervision.

SEAL & SIGNATURE



RECP #: 802575

RECORDED 2/22/2021 AT 10:04 AM BK# 2720 PG# 1779  
Debra K. Lee, CLERK OF LARAMIE COUNTY, WY PAGE 1 OF 1

Corner Name SE Corner Section 10, T 17 N, R 63 W, 6th P.M.

Index No.: J-17